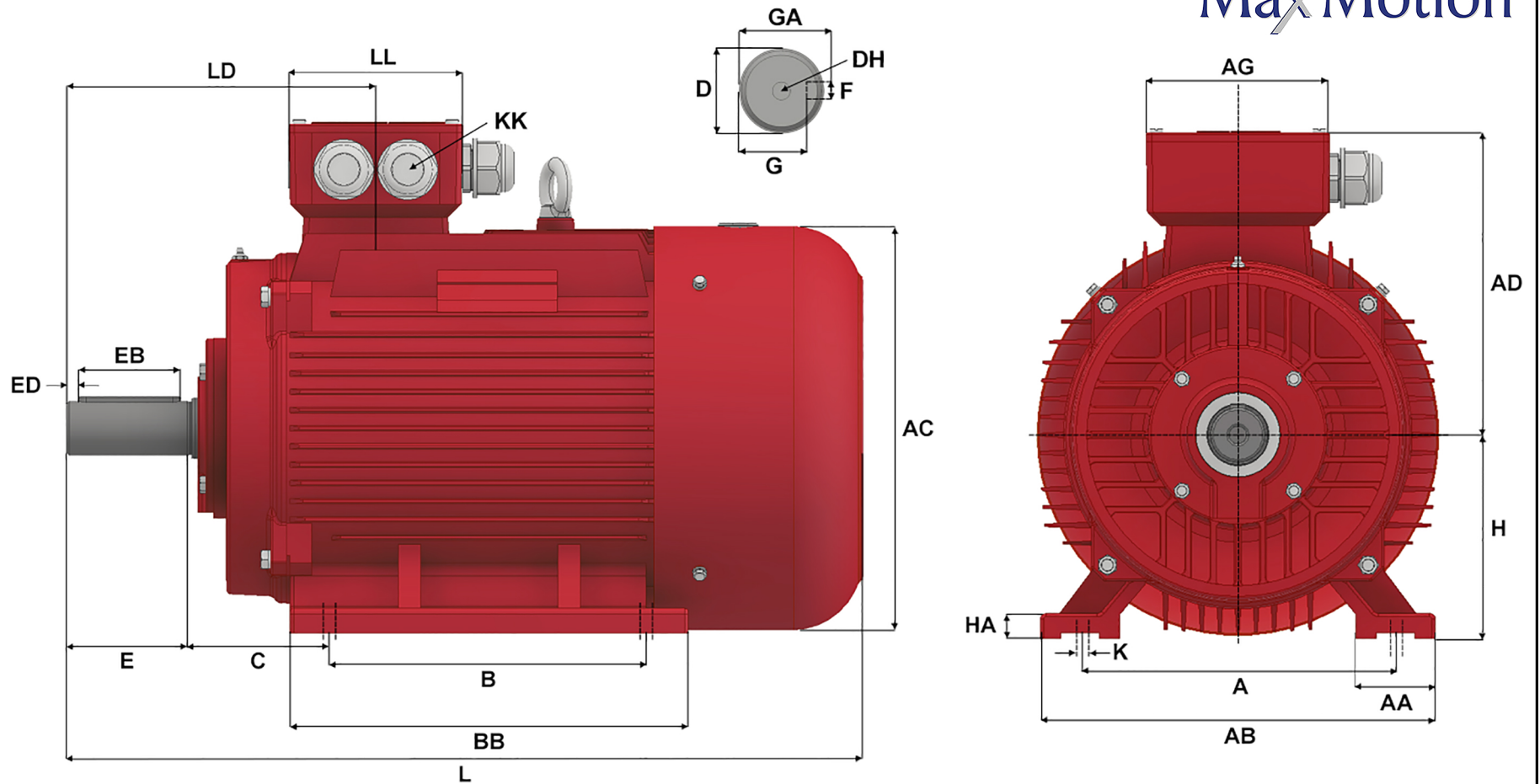


MaxMotion



Version: 1JLEM		Revised: 09-11-2019		HP	RPM	FRAME	ENCLOSURE	IJC180M-4-B3								
Customer is responsible in determining that Max Motion product will fit/perform suitably in the intended application								25	1765	180M	TEFC					
A	B	C	D	E	F	G	H	K	L	AA	AB	AC				
279	241	121	48	110	14	42.5	180	4 - \varnothing 14.5	652	70	349	355				
AD	AG	BA	BB	DH	EB	ED	GA	HA	KK (1)	KK (2)	KK (3)	LD				
267	162	0	311	M16 X 36	90	10	51.5	22	M40 X 1.5	1" NPT	M16 X 1.5	271				
LL																
152																